

Post Mounting

Mounting Posts

3MP • 3SMP

Series 12 mm Series 0.5 Inch

Stainless Steel **Mounting Posts** have **M4 (8-32 in imperial)** and **M6 (1/4-20 in imperial)** holes on the ends.

Components can be mounted using **screws** or **3AH** adapters for different threads.

Each post can be attached directly to a base surface using adapters **3AH**.

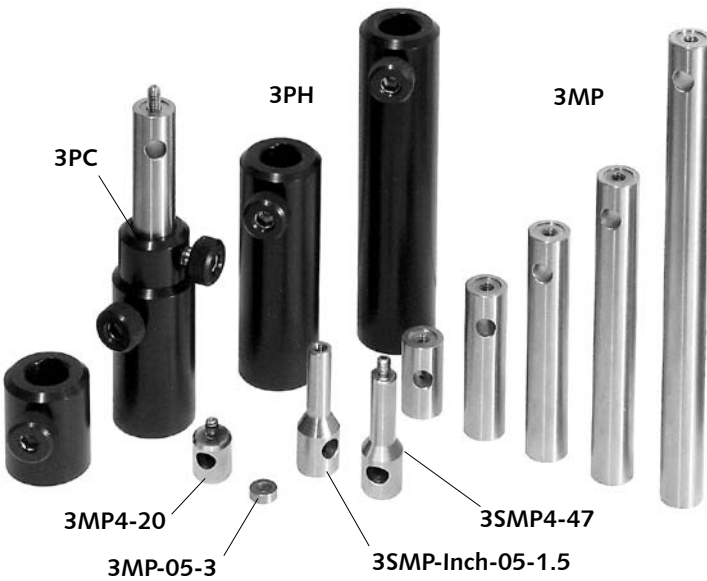
See page 3-6 on Fasteners and Accessories.

3MP-05-3 Riser post is designed for small units (see illustration below).

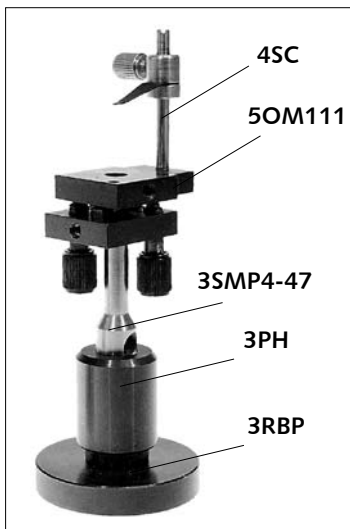
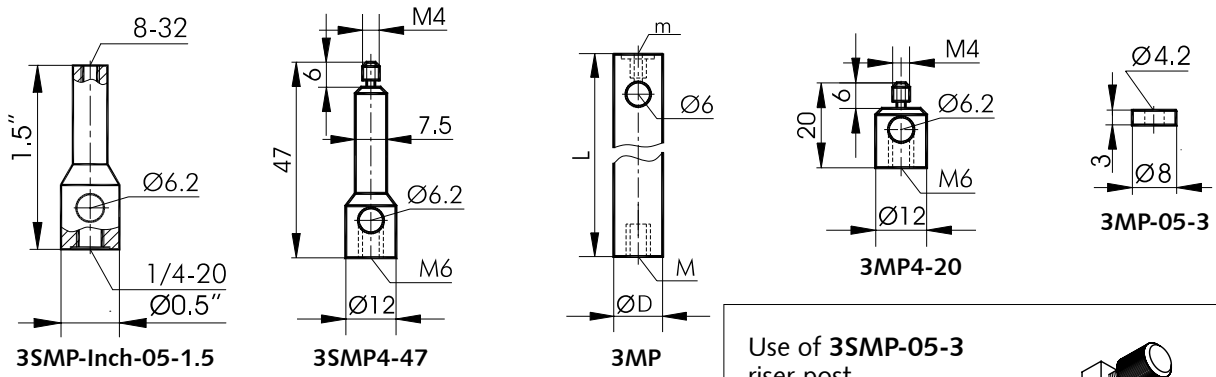
Special Mounting Post **3SMP** is designed for small units. Consider the narrow space between the knobs of mirror mount **5OM111** (see illustration below).

Adjustable Angle post clamps **3APC** can be used to couple the posts at varying angles.

Each post has a **Ø6.2 hole**. You use any wrench on this hole to tighten the post in a stable manner. A hex key **3HK-5** is quite suitable as a wrench.



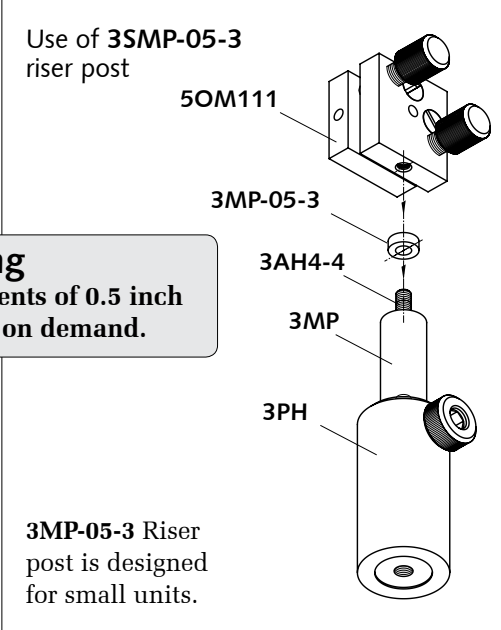
Please contact us for posts of custom sizes.



Use of **3SMP** narrow posts

Special Mounting Post **3SMP** is designed for small units. Consider the narrow space between the knobs of mirror mount **5OM111**

Ordering
Post mounting components of 0.5 inch series are produced on demand.



Use of **3SMP-05-3** riser post

3MP-05-3 Riser post is designed for small units.

Model Metric	L, mm	D, mm	M, mm	m, mm	Weight, kg	Model Inch	L, inch	D, inch	M, inch	m, inch	Weight, kg
3MP-25	25	12	M6	M4	0.02	3MP-Inch-05-1	1	0.5	1/4-20	8-32	0.02
3MP-50	50	12	M6	M4	0.04	3MP-Inch-05-2	2	0.5	1/4-20	8-32	0.04
3MP-75	75	12	M6	M4	0.06	3MP-Inch-05-3	3	0.5	1/4-20	8-32	0.06
3MP-100	100	12	M6	M4	0.085	3MP-Inch-05-4	4	0.5	1/4-20	8-32	0.085
3MP-150	150	12	M6	M4	0.125	3MP-Inch-05-6	6	0.5	1/4-20	8-32	0.125
3MP4-20	-	-	-	-	0.01	3SMP-Inch-05-1.5	-	-	-	-	0.01
3SMP4-47	-	-	-	-	0.02	3MP-05-3	-	-	-	-	0.01

http://www.standa.it
e-mail: sales@standa.it
Phone: +370-5-2651474 Fax: +370-5-2651483



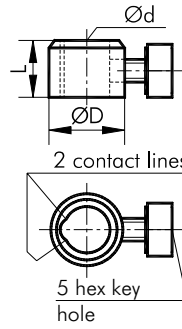
- Optical Tables 1
- Brackets & Rails 2
- Base Mounts & Accessories 3
- Optical Mounts 4
- Optical Positioners 5
- Base Positioners 6
- Translation & Rotation Stages 7
- Motorised Positioners & Controllers 8
- Fine Adjustment Screws 9
- Opto-Mechanics & Sets 10
- Light Test & Measurement Instruments 11

Post Collar

3PC



Placing an aluminium **Post Collar 3PC** onto the posts at specific height allows the post to be rotated without changing height. It fits $\text{\O}12$ mm ($\text{\O}0.5$ " in imperial) posts.



Translating Post Holder 3TPH-13
see page 3-4



Model <i>Metric</i>	L, mm	D, mm	d, mm	Weight, kg	Model <i>Inch</i>	L, inch	D, inch	d, inch	Weight, kg
3PC8	15	20	12	0.03	3PC-05	0.6	0.83	0.5	0.03

Posts/Post Holders Kit

3AK



ORDERING INFORMATION

3AK1
posts/clamps kit

3AK2
post holders/base plates kit

Detailed information on kits content is provided at www.standa.it

NEW



Post Holders

3PH • 3PHB

Aluminium **Post Holders 3PH** have a precise mounting opening for mounting posts **12 mm** ($\text{Ø}0,5''$ in imperial) in diameter. It provides two lines of contact, thus the position of a precision mounting post becomes definite. A mounting post is locked in position by a screw (included).

The post holders **3PH** can be mounted to other components using **screws**, or to breadboards and tables directly using adapters **3AH** (see article **Fasteners and Accessories** on page 3-6).

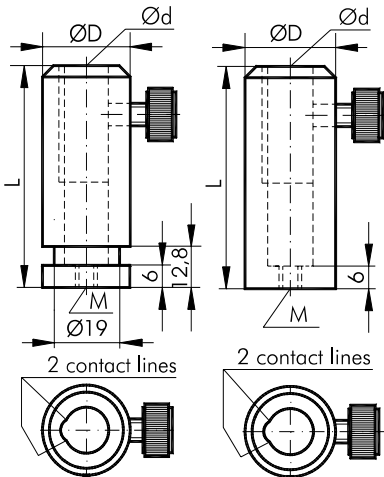
We offer a **New Original Design of Post Holders 3PHB**, which offers more usage convenience and flexibility. This solution was influenced by many requests for more compact optical schemes. Previous design is modified by introducing a slot, which allows clamping post holders to mounting surface using clamps like **3UTC**, no additional parts required. Width of post holder with clamp does not exceed 1" (25 mm).



3PH

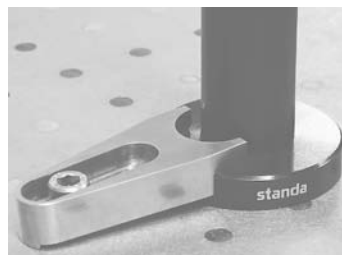


3PHB



3PHB

3PH



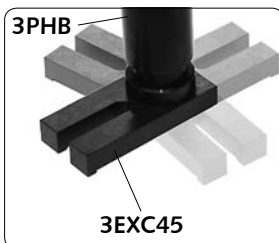
Ability to fasten post holders **3PHB** in the way of previous design **3PH** and the way of our competitors.



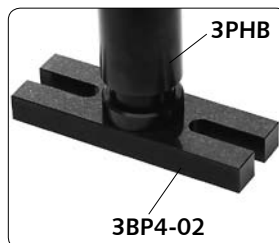
New original Standa solution. (Universal Clamp **3UTC** and New Post Holder **3PHB**)

Model <i>Metric</i>	L, mm	D, mm	d, mm	M, mm	Weight, kg
3PH-33	33	24	12	M6	0.035
3PH-50	50	24	12	M6	0.050
3PH-75	75	24	12	M6	0.075
3PH-100	100	24	12	M6	0.090
3PHB-33	33	24	12	M6	0.035
3PHB-50	50	24	12	M6	0.050
3PHB-75	75	24	12	M6	0.075
3PHB-100	100	24	12	M6	0.090
3PHB-150	150	24	12	M6	0.150

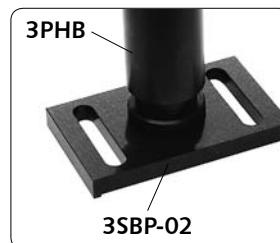
Model <i>Inch</i>	L, inch	D, inch	d, inch	M, inch	Weight, kg
3PH-Inch-05-1.2	1.2	0.98	0.5	1/4-20	0.035
3PH-Inch-05-2	2	0.98	0.5	1/4-20	0.050
3PH-Inch-05-3	3	0.98	0.5	1/4-20	0.075
3PH-Inch-05-4	4	0.98	0.5	1/4-20	0.090
3PHB-Inch-05-1.2	1.2	0.98	0.5	1/4-20	0.035
3PHB-Inch-05-2	2	0.98	0.5	1/4-20	0.050
3PHB-Inch-05-3	3	0.98	0.5	1/4-20	0.075
3PHB-Inch-05-4	4	0.98	0.5	1/4-20	0.090



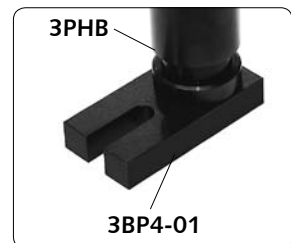
3EXC45



3BP4-02

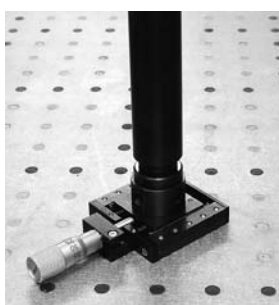


3SBP-02

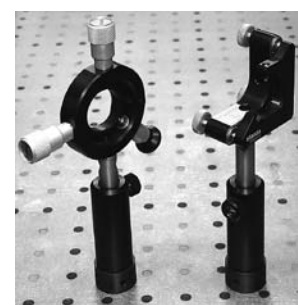


3BP4-01

All possibilities of using post holders **3PHB** as in previous design **3PH** remain.



We draw your attention to very **convenient, fast and flexible** use of **post holders 3PHB** in experiments together with **Compact Magnetic Base 3CMB**, eliminating the need of coarse positioners.



http://www.standa.it

e-mail: sales@standa.it



Phone: +370-5-2651483

Fax: +370-5-2651474



standa



Optical Tables 1

Brackets & Rails 2

Base Mounts & Accessories 3

Optical Mounts 4

Optical Positioners 5

Base Positioners 6

Translation & Rotation Stages 7

Motorised Positioners & Controllers 8

Fine Adjustment Screws 9

Opto-Mechanics & Sets 10

Light Test & Measurement Instruments 11

Fixed Pedestals

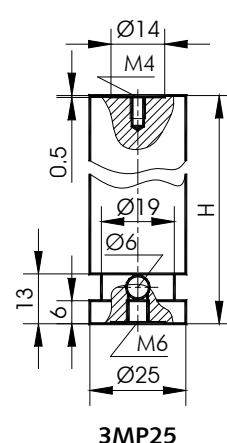
3MP25



- Solid (Ø25 mm) stainless steel rod
- Random positioning
- Exceptional stability

Model	Height H, mm	Weight, kg
3MP25-25	25	0.08
3MP25-50	50	0.17
3MP25-75	75	0.26
3MP25-100	100	0.36
3MP25-150	150	0.55

Thread adapters sold separately.



Universal Fork Clamp

3UTC

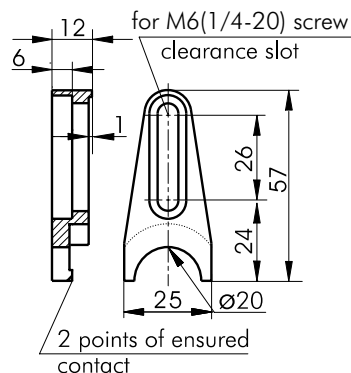
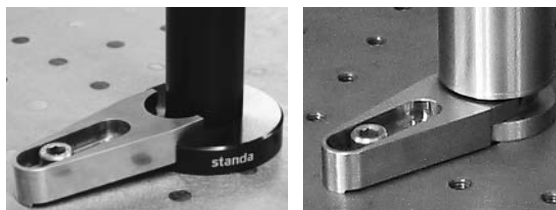
for METRIC and INCH



Material: stainless steel.
Weight: 0.05 kg

For mounting **2SR32 rods** (page 2-4) or **3MP25 pedestals** (page 3-3) to tables, you may use **3AH adapters** and **3UTC clamp**.

For **adapters** and **screws** see page 3-8 on Fasteners and Accessories.



Translating Post Holder

3TPH-13

NEW

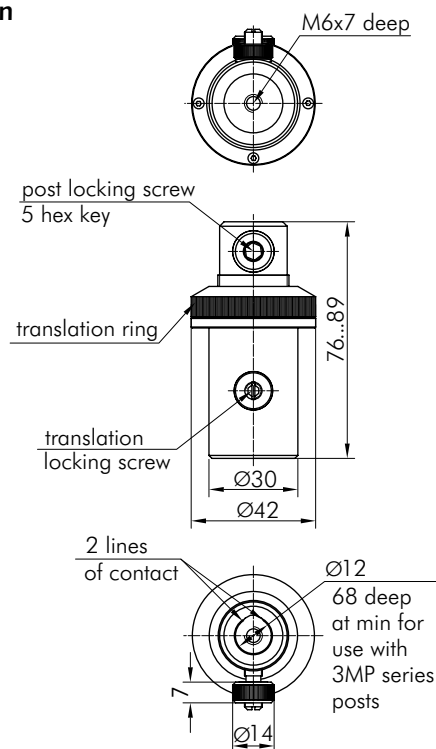


Material: black anodized aluminum.
Weight: 0.15 kg

- Fine post height adjustment within 13 mm without rotation
- One rotation of adjustment ring adjusts height of post by 1 mm
- High stability position locking

Translation Post Holder 3TPH-13 is used for height adjustment of components mounted on 12 mm posts **3MP** or equivalent. Range of coarse height setting is 50 mm. After coarsely setting position, post is locked inside the 12 mm round bore with stable two-line contact using upper thumb-screw with hex socket. Precise height adjustment is then done by a handy knurled adjustment ring. One rotation of the ring moves the post up or down 1 mm to a total of 13 mm. Precise position can be locked using the lower thumbscrew.

M6 threaded hole in the base can be used for **attaching directly to optical table**, to other positioners or to **magnetic bases 3CMB**.



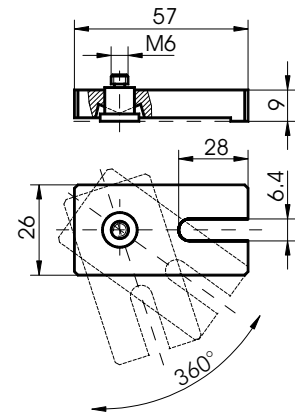
Rotary Clamp

3EXC45



Unique Rotary Clamp 3EXC45 is used to fasten components at random positions where they can not be fastened directly to the optical table.

Screw a post or post holder onto the clamp's knob. Then locate the component at the required position. While the knob is firmly attached to the component, it allows the plate to rotate freely. Position the plate's slot over a tapped hole and screw it down to clutch the knob. The component will remain stable.



Material: steel with chemical black finish.

Weight: **0.08 kg**

Table Clamp

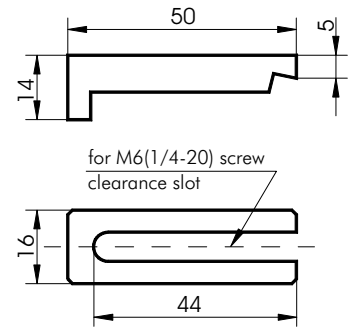
for METRIC and INCH

3TC5



Using Table Clamps 3TC5 you can position any STANDA base and most base mounted components at any angle on the table and have not to be limited by mounting hole pattern of the optical table. For using clamps the device is positioned so the slot of the clamp is over the base and so the screw can be inserted into a tapped hole. Tightening this screw can generate sufficient force for most mounting applications.

Weight: **0.03 kg**

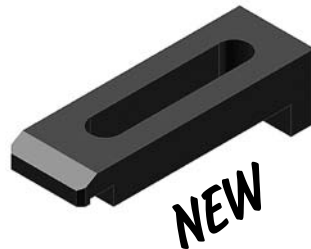


Material: steel with chemical black finish.

Table Clamps

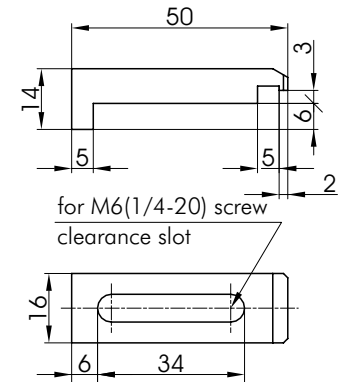
for METRIC and INCH

3TC6/3TC7



Using Table Clamps 3TC6 you can position any STANDA base and most base mounted components at any angle on the table and have not to be limited by mounting hole pattern of the optical table. For using clamps the device is positioned so the slot of the clamp is over the base and so the screw can be inserted into a tapped hole. Tightening this screw can generate sufficient force for most mounting applications.

Weight: **0.03 kg**

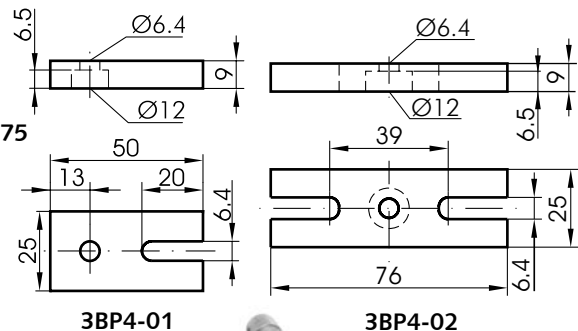
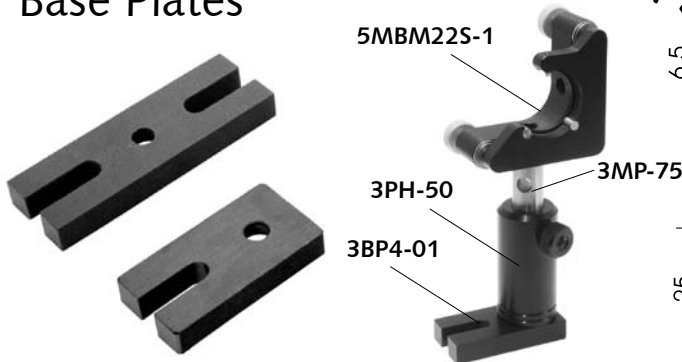


Material:
3TC6 – steel with chemical black finish.
3TC7 – black anodized aluminum

Base Plates

for METRIC and INCH

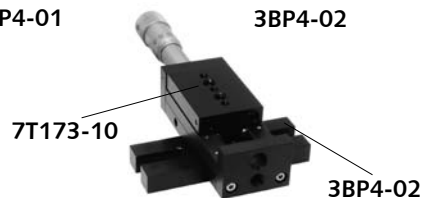
3BP4



Base Plates 3BP4 are designed to position posts and post holders. The base is fastened by mounting slots, which allow to slide the base to positions independent of the pattern of holes.

Material: steel of black finish, or black anodized aluminum.

Weight: 3BP4-01 **0.07 kg** 3BP4-02 **0.10 kg**



http://www.standa.it

e-mail: sales@standa.it

Phone: +370-5-2651483

Fax: +370-5-2651474

standa

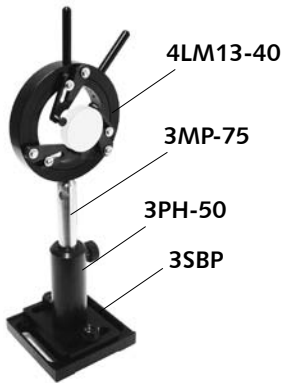
- Optical Tables 1
- Brackets & Rails 2
- Base Mounts & Accessories 3
- Optical Mounts 4
- Optical Positioners 5
- Base Positioners 6
- Translation & Rotation Stages 7
- Motorised Positioners & Controllers 8
- Fine Adjustment Screws 9
- Opto-Mechanics & Sets 10
- Light Test & Measurement Instruments 11

Sliding Base Plate

3SBP



3SBP

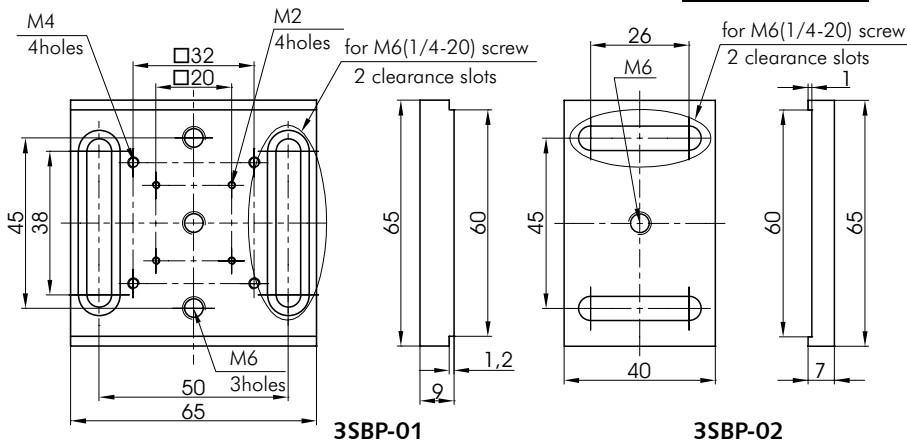


4LM13-40

3MP-75

3PH-50

3SBP



3SBP-01

3SBP-02

Sliding Base Plate 3SBP allows an M6 threaded post holder 3PH or other component to be cost effectively positioned and locked on **X and Y axes**. Adjustment range along **X axis** is within **26 mm**. **Y axis** – **38 mm**. **3SBP-01** is designed for attaching translation

stages 7T184-13, 7VT174-13 and rotation stages 7R174-11, 7R128 to STANDA optical tables or to another stages. Material: black anodized aluminium.

Weight: 3SBP-01 – **0.03 kg**;
3SBP-02 – **0.07 kg**;
3SBP – **0.18 kg**

Universal Base Plates

3UBP



3UBP-01



3UBP-02



3UBP-03

Universal Base Plates 3UBP are designed for attaching translation and rotation stages to STANDA optical tables or to another stages.

3UBP-03 is designed for 7T164-10, 7T264-10, 7T273-10, 7T273-10T, 7T184-13, 7VT174, 7T67-6, 7VT173-25, 7T34-20, 7R174-11, 7G174-30, 8MR174-11.

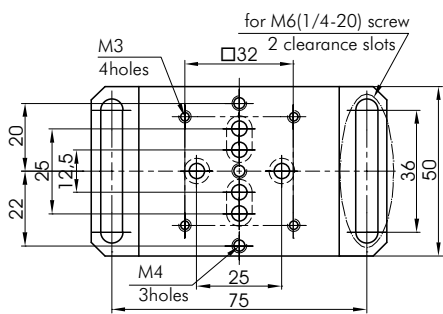
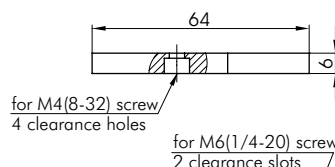
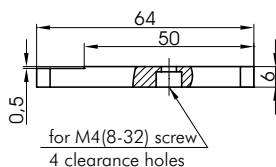
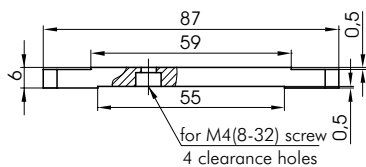
3UBP-02 is designed for the same stages like **3UBP-03**, plus 7T173-10, 7T173-20, 8MT173-10, 8MT173-20.

3UBP-01 is designed for the same stages like **3UBP-03**, plus 7T173 and 8MT173.

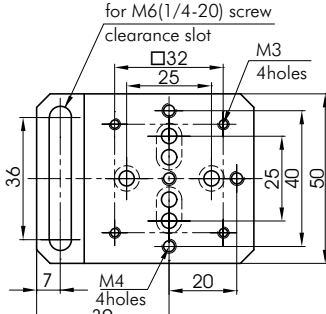
Material: black anodized aluminium.

Weight:

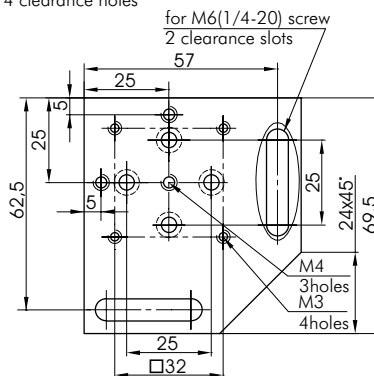
3UBP-01: **0.05 kg**;
3UBP-02: **0.04 kg**;
3UBP-03: **0.06 kg**



3UBP-01



3UBP-02



3UBP-03

for METRIC

for METRIC and INCH

Base Plates

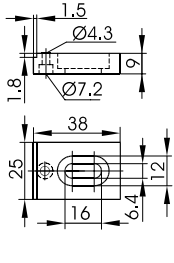
3BP138



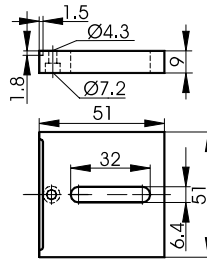
Base Plates 3BP138 are flat, slotted plates designed to ensure mounting of various opto-mechanical components at random position. The bases can be translated on limited range depending on the size of the base plate slot.

The base plates are made of black anodized aluminium and are available in different dimensions for use with mounts for specific components.

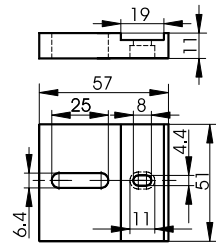
Model	Weight, kg
3BP138-01	0.02
3BP138-02	0.06
3BP138-03	0.07
3BP138-04	0.1
3BP138-05	0.18



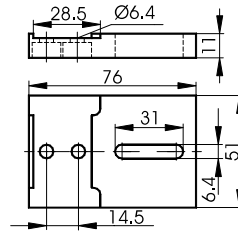
3BP138-01



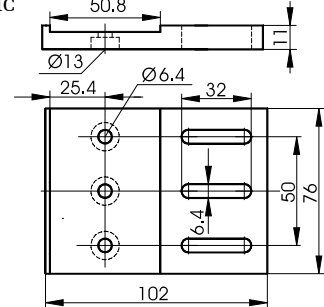
3BP138-02



3BP138-03



3BP138-04



3BP138-05

Round Base Plates

3RBP



3RBP-39

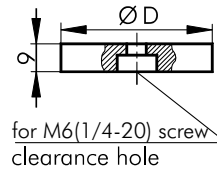


3RBP-49

Round Base Plates 3RBP are used for mounting posts and posts holders to position them at random. The post stays stable without fastening. If required, the plate can be fastened using Table Clamps 3TC5 or 3TC6.

Material: black anodized aluminium.

Model	D, mm	Weight, kg
3RBP-49	49	0.12
3RBP-39	39	0.07



for METRIC and INCH

Base Plates with Eccentric Clamp

3EXP59



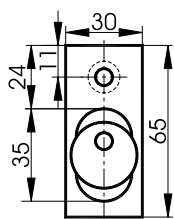
3EXP59-01

Bases 3EXP59 are used to clamp posts and post holders in random positions.

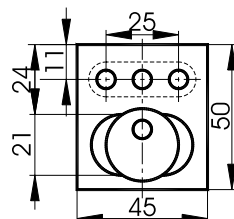
Attach a post to the base using an **M6** screw. Set the position. The base rotates around the clamp through **360°** and translates within **10 mm**. Fix the clamp with an **M6** screw.

The base is of black anodized aluminium.

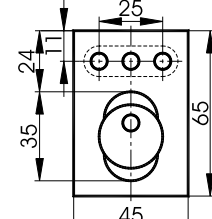
Model	Weight, kg
3EXP59-01	0.11
3EXP59-02	0.12
3EXP59-03	0.15



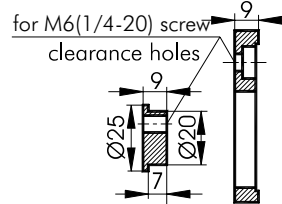
3EXP59-01



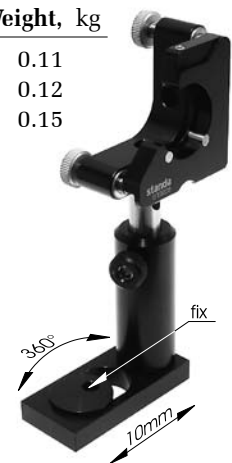
3EXP59-02



3EXP59-03



side view of the bases



Base Plate

3BP175

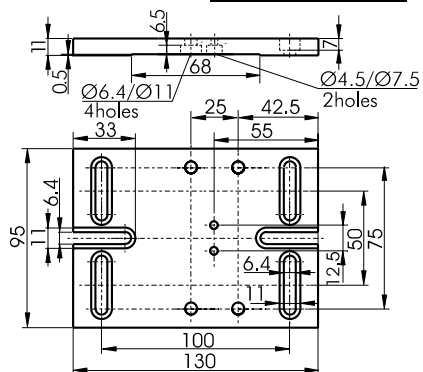


Base Plate 3BP175 is designed for attaching translation stages 7T173, 7T175 and motorized translation stages 8MT173, 8MT175, 8MT193-100 to STANDA optical tables or to another stages.

Motorized medium width stages have a motor protruding from the **bottom**. To place such stages on flat surfaces you need a base plate **3BP175**.

The base plate is of black anodized aluminium.

Weight: **0.3 kg**



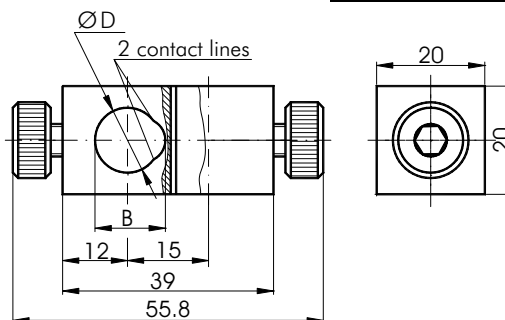
Right Angle Fixed Post Clamp

3RPC



Aluminium **Fixed** (non-adjustable) **90°** (right angle) clamps **3RPC-12** (for 12 mm posts) and **3RPC-05** (for 0.5" posts).

Model	D, mm	B, mm
3RPC-12	12	13
3RPC-05	12.7	13.7



Adjustable Angle Post Clamps

3APC

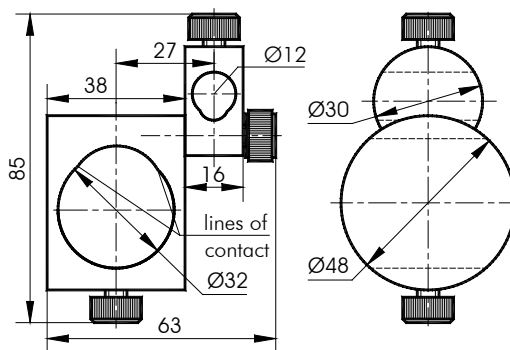


3APC-12-32

Adjustable Angle Post Clamps allow Mounting Posts **3MP** of $\varnothing 12$ mm and Silent Rods **2SR32** of $\varnothing 32$ mm to be mounted to one another at any angle and at any point.

The Posts can be adjusted in height and angle and then securely locked in position with independent thumbscrews M6.

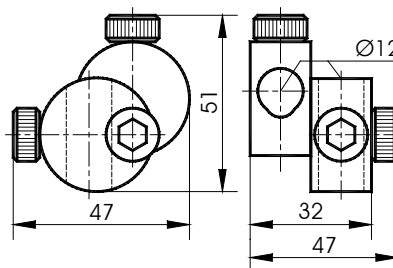
The clamps are made of black anodized aluminium.



3APC-12-32



3APC-12-12

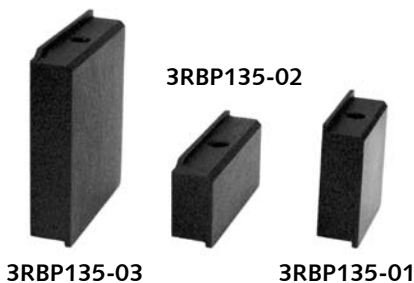


3APC-12-12

Model	Weight, kg
3APC-12-12	0.11
3APC-12-25	0.25
3APC-12-32	0.45

Riser Blocks

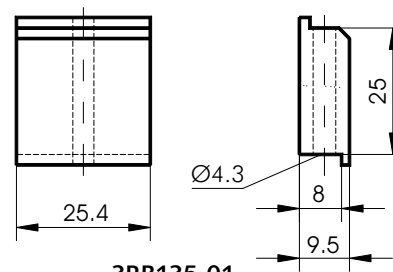
3RB135



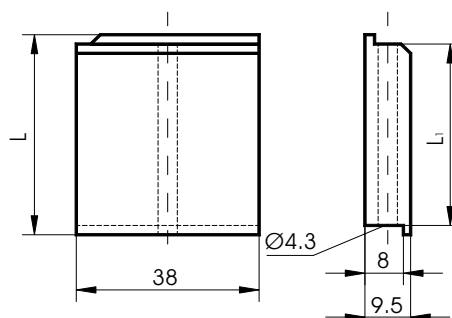
3RBP135-03

3RBP135-01

Riser Blocks 3RB135 are designed to be used with appropriate base plates to elevate the optical axis of mirror and lens mounts. Also another component mounts are assembled to base plate through the Riser Blocks using an M4 socket-thread cap screw. The Riser Blocks are made from black anodized aluminium and have a lip on the edge for aligning it with the base and for prevention of its rotation.



3RB135-01



3RB135-02 and 3RB135-03

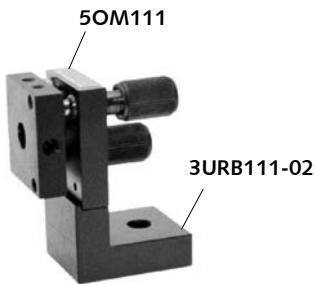
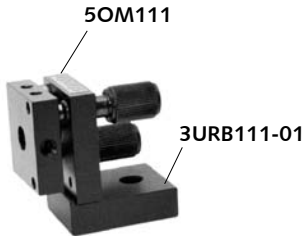
Model	L, mm	L ₁ , mm	Weight, kg
3RB135-01	28	25	0.015
3RB135-02	18.5	15.3	0.015
3RB135-03	43.5	40.3	0.04

Universal Riser Blocks

3URB111

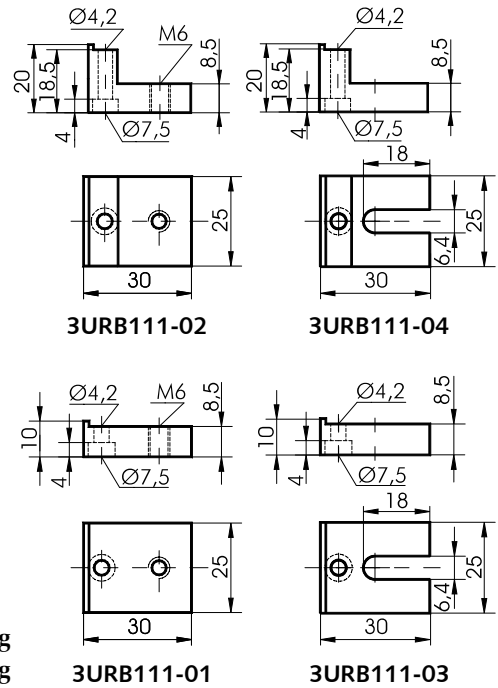


3URB111-01 3URB111-02



The Universal Riser Blocks 3URB111 is the combination of the Riser Block and the Base Plate. They allow all components to be mounted at fixed axis height 10 mm using 3URB111-01(03) or 20 mm using 3URB111-02(04). The Universal Riser Blocks are made from black anodized aluminium.

Weight:
 3URB111-01(03) **0.015 kg**
 3URB111-02(04) **0.020 kg**



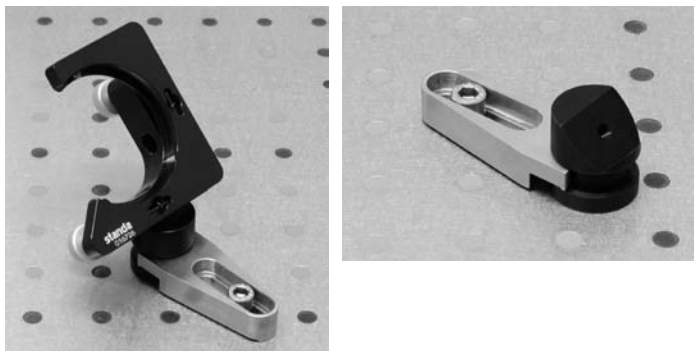
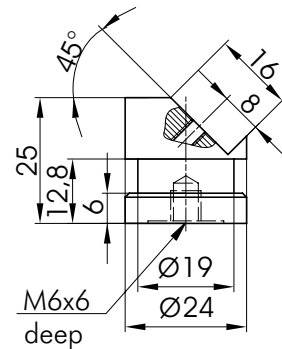
Angular Adapter

3A-45D



- Turns/fixes Mirrors and Mounts by 45°
- Compatible with:
 - 5MBM21
 - 5MBM22
 - 5MBM24
 - and others
- Material: black anodized aluminium
- Weight: 0.025 kg

NEW



NEW

3AM

45 degree Mirror Adapters



3AM-1-45D

Optics is firmly held by a plastic securing screw and it rests against two contact lines formed at the interface. Adapter easily accommodates any optical mount designed for 1" optics.

For fine adjustment adapter can be mounted into 5MBM21-1 Kinematic Mirror/Beamsplitter Mount.

Example of Assembly 10LBS, page 10-16

3AM-1-15-45D clear aperture Ø15 mm

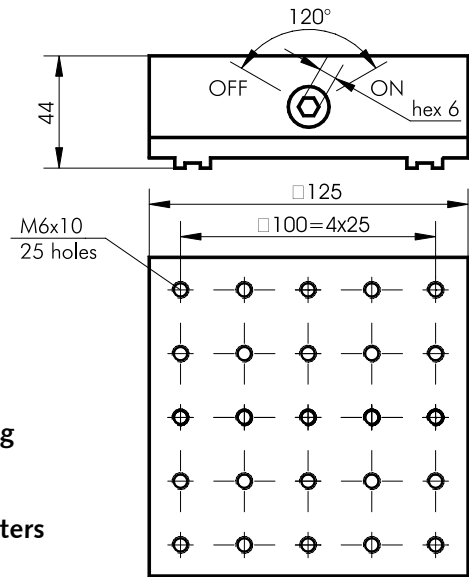
http://www.standa.it
 e-mail: sales@standa.it
 Phone: +370-5-2651474 Fax: +370-5-2651483

standa

- 1 Optical Tables
- 2 Brackets & Rails
- 3 Base Mounts & Accessories
- 4 Optical Mounts
- 5 Optical Positioners
- 6 Base Positioners
- 7 Translation & Rotation Stages
- 8 Motorised Positioners & Controllers
- 9 Fine Adjustment Screws
- 10 Opto-Mechanics & Sets
- 11 Light Test & Measurement Instruments

Low-profile Magnetic Base

3MB6



- Highest holding force – up to 140 kg
- Nonmagnetic mounting surface
- M6 mounting holes pattern on 25 mm centers
- Low field leakage

Our magnetic bases feature: a high holding force that does not degrade with time, a low profile, generous mounting provisions, a non magnetic mounting surface, a holding force which you may vary continuously by the easy to reach inset adjustment screw.

An exclusive stable magnetic circuit ensures that the magnetic elements move linearly.

A Hex Key **3HK-5 (5 mm)** comes with each base.

Weight: **2.8 kg**

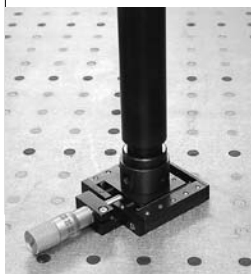
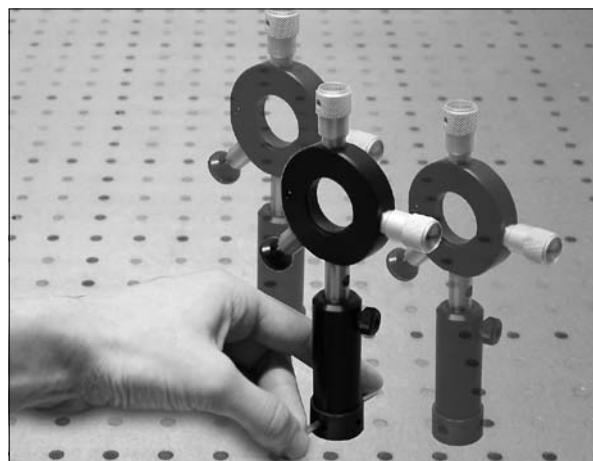
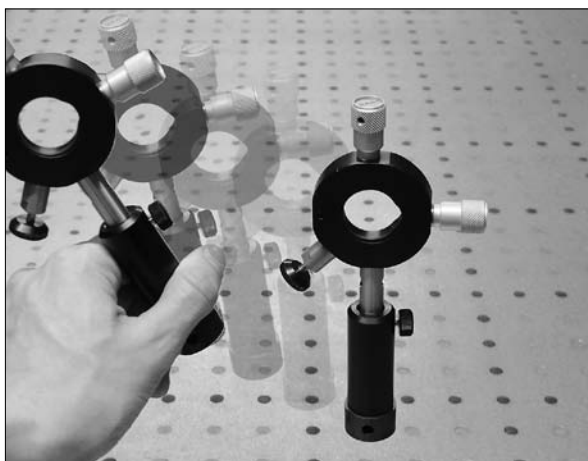
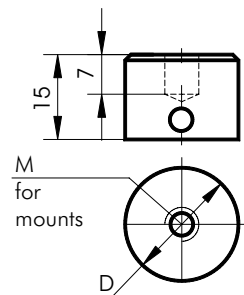
Compact Magnetic Bases

3CMB

Small components may be quickly positioned on ferromagnetic optical tables and breadboards or translation stages using our **Compact Magnetic Bases**.

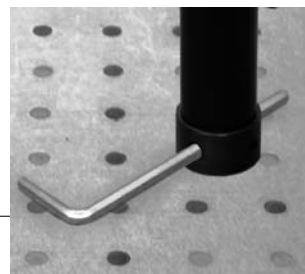


Model	D	M	holds loads	Weight, kg
3CMB6-19	19	M6	upto 5 kg	0.03
3CMB4-19	19	M4	upto 5 kg	0.03
3CMB6-27	27	M6	upto 10 kg	0.06
3CMB4-27	27	M4	upto 10 kg	0.06



With the **3CMB Compact Magnetic Bases** post mounted optics holders can be quickly and securely positioned on an optical table.

Support holes allow **quick and easy** positioning of optics holders.



Fasteners & Accessories

Connecting Cone

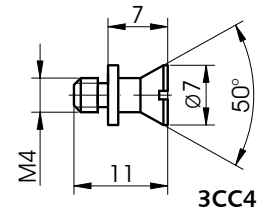
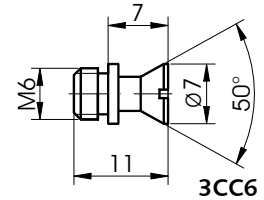
3CC4 • 3CC6



A **Connecting Cone 3CC4, 3CC6** is useful in connecting elements when specific orientation plane is required. E.g. in Spatial Filter **10SF130**, or in **Narrow 7T173** translation stages joined for **X-Y-Z** motion.

There is an **M6** thread at one end and **50°** cone at another. A component is fastened to the cone using an additional fastening screw.

3CC6 is of black finished steel.



Thread Adapters

3AH

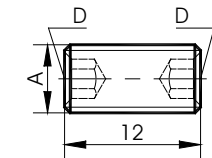
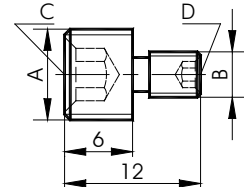


Adapters 3AH connect components when precise orientation in plane is not required. Some adapters have different threads on ends. So, you can connect components with **M3, M4, M6, M8** threaded holes. Material: stainless steel.

Metric/imperial thread adapters are available on request.

Model	A	B	C	D
3AH4-3	M4	M3	2	1.5
3AH6-4	M6	M4	3	2
3AH8-4	M8	M4	4	2
3AH8-32-1/4-20	8-32	1/4-20	5/64	1/8

Model	A	D	C and D denote hex key sizes
3AH4-4	M4	2	
3AH6-6	M6	3	
3AH8-32	8-32	5/64	
3AH1/4-20	1/4-20	1/8	



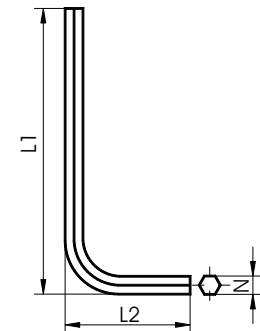
Hex Key

3HK



A **Hex key 3HK** is suitable for tightening all standard Hex Screws. It is made of steel with chemical black finish.

Model	N, mm	L1, mm	L2, mm
3HK-1.5	1.5	46	15
3HK-2	2	51	18
3HK-3	3	63	20
3HK-5	5	80	28

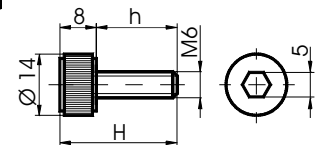


Special Screw

3SPS

Special Screws 3SPS can be screwed by hand and tightened using a spanner. Special screws are provided in two lengths **24 mm** and **28 mm**. Thread size is **M6**.

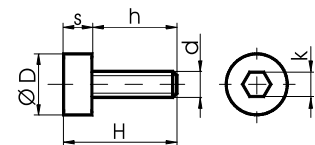
Model	h, mm	H, mm
3SPS-20	20	28
3SPS-16	16	24



Standard Screw

3STS

Model	h, mm	H, mm	s, mm	D, mm	d, mm	k, mm
3STSM6-6SS	6	12	6	10	M6	5
3STSM6-8SS	8	14	6	10	M6	5
3STSM6-16SS	16	22	6	10	M6	5
3STSM6-20SS	20	26	6	10	M6	5
3STSM4-8SS	8	12	4	7	M4	3
3STSM4-16SS	16	20	4	7	M4	3
3STSM4-20SS	20	24	4	7	M4	3
3STSM3-8SS	8	11	3	5.5	M3	2.5
3STSM3-16SS	16	19	3	5.5	M3	2.5
3STSM3-20SS	20	23	3	5.5	M3	2.5

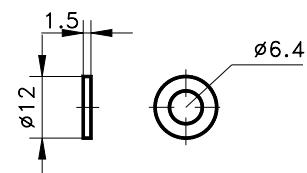


Material: stainless steel.

Washer

3W6

A **Washer** is used to protect surfaces from scratches and to provide more stable tightening. Material: black finished steel. Stainless steel version available on request, e.g. **3W6SS**.



http://www.standa.it



e-mail: sales@standa.it



Phone: +370-5-2651474 Fax: +370-5-2651483



standa

- Optical Tables 1
- Brackets & Rails 2
- Base Mounts & Accessories 3
- Optical Mounts 4
- Optical Positioners 5
- Base Positioners 6
- Translation & Rotation Stages 7
- Motorised Positioners & Controllers 8
- Fine Adjustment Screws 9
- Opto-Mechanics & Sets 10
- Light Test & Measurement Instruments 11

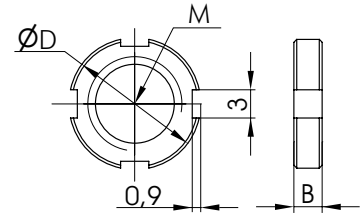
Fastening Nuts

3N



Model	D, mm	M	B, mm
3N6X05	10	M6x0,5	2.5
3N8X1	12	M8x1	3.5
3N10X05	14	M10x0,5	3
3N12X1	16	M12x1	3.5

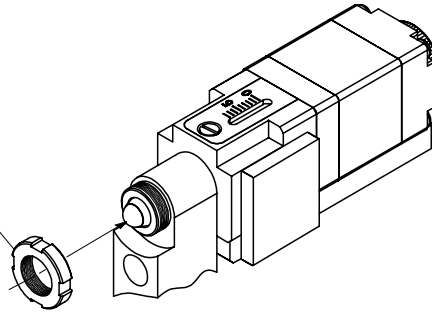
Material: stainless steel.



Used for fastening motorized actuators and in other applications.

nut 3N10X05

sample of assembling



8MBM24-1-2

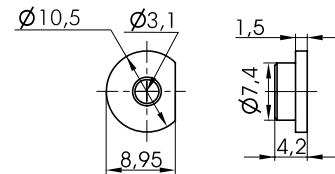
Lock-Down Clamp

3WFA-01



This clamps are used to fix the accessories to the mounting platform.

Material: stainless steel.



Screw Kits

3SK

ORDERING INFORMATION

3SK1 contains:

- 3STSM6-8SS – Stainless steel screw with standard thread M6 of length 8 mm – quantity 50.
- 3STSM6-10SS – Stainless steel screw with standard thread M6 of length 10 mm – quantity 50.
- 3STSM6-16SS – Stainless steel screw with standard thread M6 of length 16 mm – quantity 150.
- 3STSM6-20SS – Stainless steel screw with standard thread M6 of length 20 mm – quantity 50.
- 3W6SS – Stainless steel washer for M6 screw – quantity 50.
- 3HK-5SS – Stainless steel hex key 5 – quantity 10.



Detailed information on kits content is provided at www.STANDA.LT

NEW

